

Vertical Applications Panel PC  
INOSP: Stainless Steel Panel PC  
ASTUT: All-in-one Panel PC with Riser Card Expansion  
BYTEM: Compact Panel PC  
IPCC: Heavy-duty Industrial Panel PC  
OPF FRAME PC  
BYARM/MRS: ARM-Based Panel PC

## Medical Series 21.5"



### I/O View



### Features

- Projected capacitive touch screen



- Capacitive control keypad for power / brightness / volume



- PCI-E (x4) expansion card support



- IP65 front-panel waterproof protection



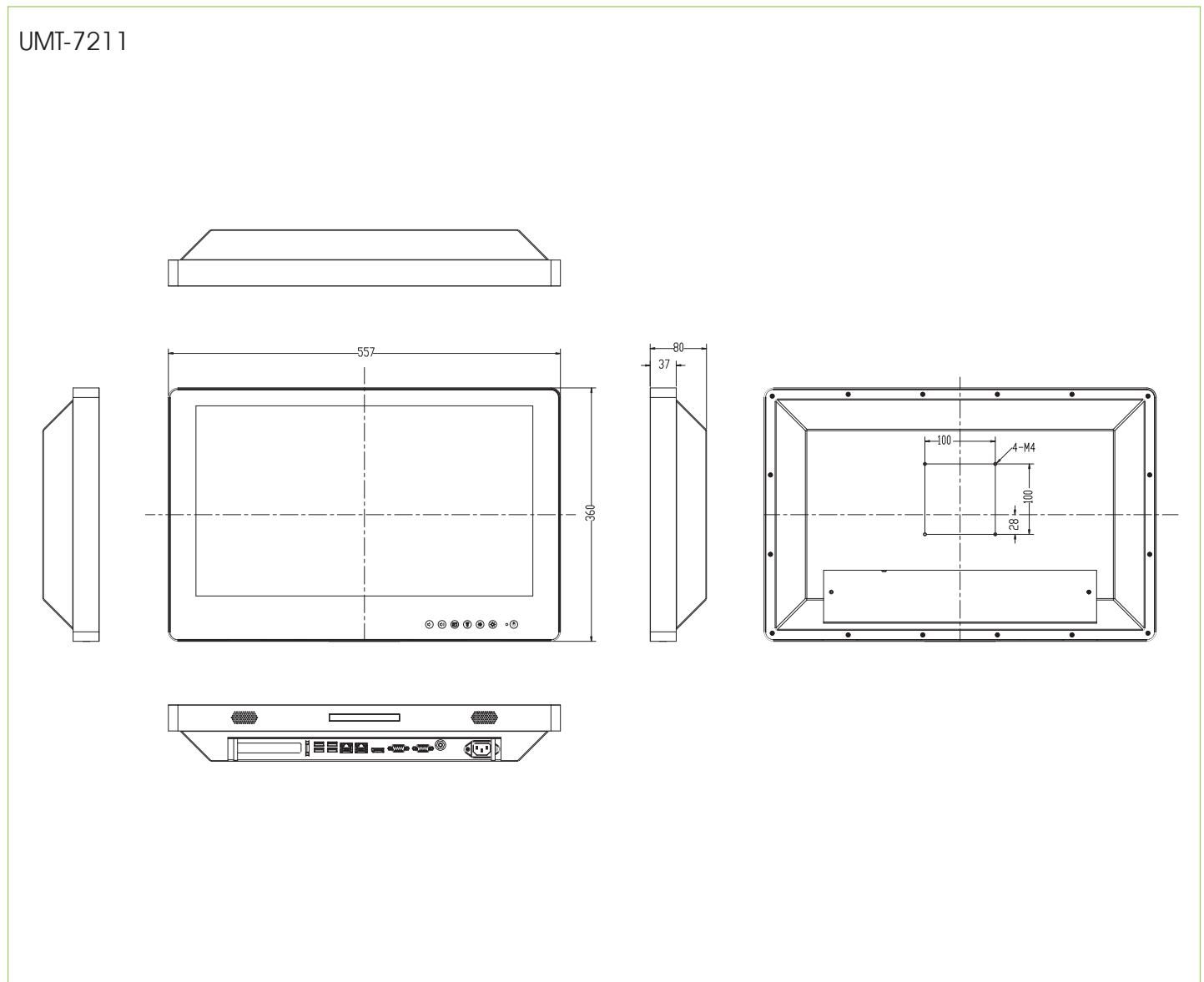
# UMT-7211

## Specifications

Model No.		UMT-7211
Display & Touch Screen	Display Size	21.5" TFT LCD
	Max. Resolution	1920 x 1080
	Luminance (cd/m <sup>2</sup> )	300
	Contrast	1000:1
	Max. Color	16.7M
	View Angle (H/V)	178° / 178°
	Backlight Lifetime(hrs)	30000
	Touch Type	Projected capacitive
	Touch Interface	USB
	Light Transmission (%)	87
	Point of touch	Up to 10
I/O Interface	USB 3.0	2
	USB 2.0	2
	RS-232/422/485 Selectable in BIOS	1 (4KV isolated)
	RS-232	1 (4KV isolated)
	LAN	2x GbE (4KV isolated)
	Additional Graphics	DP
	Audio	None
	Digital I/O	None
	Power Connector	IEC60320 C14
	Power Button	Capacitive-type power button with LED indicator in front bezel
Mechanical	Dimensions (mm)	557 x 360 x 80
	Net Weight (kgs)	6.7
System	Processor	Intel® Core™ i5-6300U 2.4GHz
	Memory	2x DDR4-2133 SO-DIMM, default 4GB (1x 4GB )
	Thermal Design	Fanless
	Membrane Control	Capacitive keys for Power on-off/Brightness up/down/Volume up/down/Touch on-off/Reading light on-off
	Built-in Speaker/MIC	Optional IP54 speaker
Expansion	Internal Expansion Bus	1x M.2 Type 2230 socket 1x Mini PCI-E full-size socket
	Expansion Slot	1x PCI-E (x4)
	Wireless	Optional
Storage Space	HDD	1x 2.5" SATA, default 64G SSD 1x M.2 SSD
	Removable	None
Power	Power Input Range	90V AC-240V AC, Optional internal backup battery for 15-min operation
Construction	Chassis Material	Aluminum + Sheet metal with white powder coating
	Color (Front/Back)	Medical White
	IP Rating	IP65 rated front bezel / IP54 (except I/O side)
	Mounting	VESA 100mm x 100mm
Environmental	Operating Temperature	0°C ~ 40°C
	Storage Temperature	-20°C ~ 60°C
	Storage Humidity	10% ~ 95% (non-condensing)
	Certification	CE/FCC class B and LVD EN 60601-1: 2006 + A1: 2013(IEC 60601-1: 2012 reprint) EN 60601-1-2:2015 (IEC 60601-1-2:2014)
	Supported Operating Systems	Windows 8.1/10 64-bit

# UMT-7211

## Dimensions



## Ordering Information

UMT-7211	21.5" (1920 x 1080) Panel PC with MBM-7001, Intel® Core™ i5-6300U (Quad-Core @ 2.4GHz), 4GB DDR4 SO-DIMM, 64G SSD, projected capacitive touch, 90V~240V AC power input
Optional battery	3S1P backup battery for 15-minute operation
Optional LED light	IDM101 LED reading light
Optional speakers	IP54 speakers
Optional Wi-Fi set	Optional Intel® M.2 7265 Wi-Fi module with external antenna

- Vertical Applications Panel PC
- INOSP: Stainless Steel Panel PC
- ASTUT: All-in-one Panel PC with Riser Card Expansion
- BYTEM: Compact Panel PC
- IPPC: Heavy-duty Industrial Panel PC
- OPF FRAME PC
- BYARM/MRS: ARM-Based Panel PC