

RTC-1010RK

10.1" Rugged Tablet Featuring Rockchip RK3399 With Android™ 11



Specifications

| System Architecture | |
|---------------------|---|
| Processor | Rockchip RK3399 Processor (Quad-Core Arm® Cortex®-A53, 1.6 GHz & Dual-Core Arm® Cortex®-A72, 2.0 GHz) |
| Operating System | Android™ 11 |
| Memory | Onboard LPDDR4 Memory, 2GB/4GB (Default) |
| Storage | eMMC 64GB (Default)/128GB |
| Display | 10.1" WXGA (1280 x 800) 800-nit/300-nit TFT LCD with Projected Capacitive Multi-Touch Screen |
| I/O Port | Micro HDMI Port x 1 SIM Card Slot x 1 MicroSD Card Slot x 1 Audio Jack x 1 (3.5mm) USB 3.2 Gen 1 x 2 (USB Type-C x 1), USB 2.0 x 2 DC-in Jack x 1 RS-232/422/485 COM Port x 1 10/100/1000 Base-T RJ-45 x 1 |
| Communication | Wi-Fi 802.11 a/b/g/n/ac, Bluetooth v5.2 (EDR + BLE) |
| Navigation | GPS + GLONASS (Default), BeiDou (Optional) |
| WWAN(optional) | LTE via M.2 slot, B Key 3042 (Optional) |
| Camera | 8MP Front Camera 8MP Rear Camera with flash |
| Sensor | G-sensor, E-compass, Gyro-sensor, Light-sensor |
| Expansion Slot | M.2 3042 B-Key (LTE) Docking connector: USB 2.0 x 1 |

Features

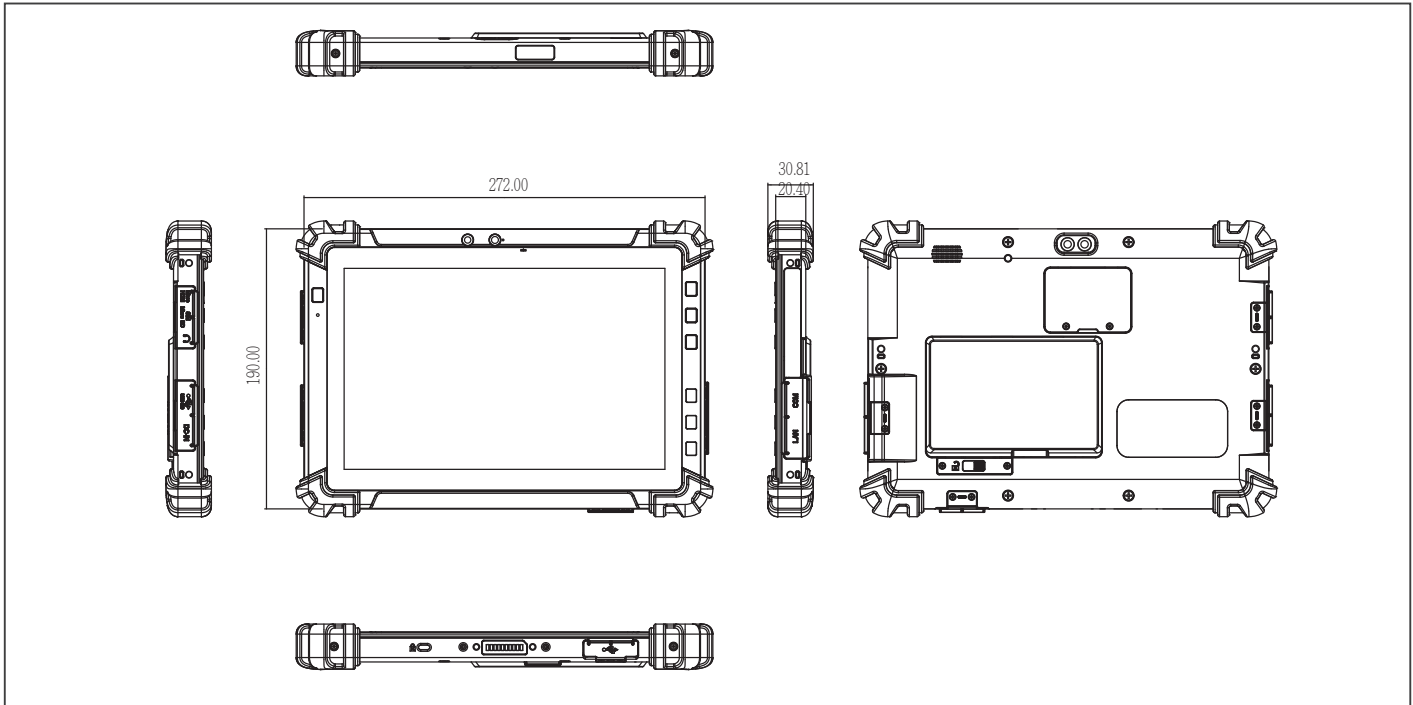
- 10.1" WXGA (1280 x 800) 800-nit/300-nit TFT LCD
- Rockchip RK3399 Processor
- Onboard LPDDR4 Memory, 2GB/4GB (Default)
- eMMC 64GB (Default)/128GB
- Wi-Fi 802.11 a/b/g/n/ac, Bluetooth 5.2, LTE (Optional)
- 8MP Front and 8MP Rear Camera
- RS-232/422/485 COM Port + 10/100/1000 Base-T RJ-45
- USB 3.2 Gen 1 x 2 (USB Type-C x 1), USB 2.0 x 2
- 2D Barcode Scanner (Optional)
- HF RFID (NFC) Reader (Optional)
- GPS + GLONASS (Default), BeiDou (Optional)
- One Hot-swappable Battery + Internal Battery, Up to 44W Capacity
- MIL-STD-810H, IP65 Compliant, Drop 122cm
- Programmable Function Keys
- Android™ 11



| Barcode Scanner (Optional) | 2D Barcode scanner, OPTICON MDI-4100-USB (Optional) |
|------------------------------|---|
| HF RFID (Optional) | ISO 15693 (R/W), ISO 18092 (R/W), ISO 14443-A (R/W) ISO 14443-B (Only Read UID), Depend on card type |
| Audio | Speaker x 1 |
| Physical Key | F0, F1 (BCR Trigger Button (When BCR is enabled), F2 (Screenprint), F3 (Audio On/Off), Volume Up (Speaker Volume Up), Volume Down (Speaker Volume Down) |
| Mechanical | |
| Color | Black & Dark Grey |
| Dimension (W x H x D) | 272.0mm x 190.0mm x 20.4mm (10.71" x 7.48" x 0.80") |
| Gross Weight | 2.2 lb (1.0 Kg) based on configurations |
| Environmental | |
| Operating Temperature | -20°C ~ 50°C (-4°F ~ 122°F) |
| Storage Temperature | -30°C ~ 70°C (-22°F ~ 158°F) |
| Humidity | 0% ~ 90% relative humidity, non-condensing |
| Environmental Sealing | IP65 |
| Vibration | MIL-STD-810H: 2019, 514.8 Procedure I, Table 514.8C-1 Category 4 common carrier 5~500Hz X, Y, Z axes, 1-hour duration for each axis |
| Drop | MIL-STD-810H: 2019, 516.8 Procedure IV Drop height: 122cm Number of Drop: 26 times, for all surfaces, edges and corners Condition: Based on 2" plywood over concrete |
| Shock | MIL-STD-810H: 2019, 516.8 Procedure V |
| ESD | Air charge: +/- 8KV, Contact charge: +/- 4KV |
| Certifications and Standards | CE, FCC, TELEC |
| Power Supply | |
| AC / DC Adapter | AC 100V ~ 240 V, 50Hz ~ 60Hz, Output: 12V/3A/36W |
| Battery Life | Li-ion Battery 8-hour battery life based on test configurations |
| Master Battery | Hot-swappable battery: 14.4V, 2270mAh, 32.7W |
| Slave Battery | 7.4V, 1530mAh, 11.3W |
| Display | |
| LCD | 10.1" TFT-LCD Display |
| Resolution | 1280 x 800 |
| Maximum Color | 16.7M |
| Dot Size | 0.1692mm (H) x 0.1692mm (W) |
| Brightness | 300 nits (800 nits, Optional) |
| Viewing Angle | Horizontal: 170°, Vertical: 170° (Typical) |
| Touch Screen | |
| Touch Type | Projected Capacitive Multi-Touch Screen (PCT) |
| Light Transmission | Min. 87% |

Dimension

Unit: mm



Packing List

- **RTC-1010RK**
 - **1255300365**
AC-To-DC Power Adaptor, 12V, 36W
 - **Power Cord (By Order)**
- *Power cord must be purchased separately.

Optional Accessories

- **RDS-411-000**
Docking Station, W/O Stand
- **RDS-411-001**
Docking Station, W/ Stand
- **RBC-1200-000**
4-bay Battery Charger
- **RTC-1010-HS-000**
Hand Strap
- **RTC-1010-SB-000**
Shoulder Belt, 2 Points
- **RTC-1200BAT01-000**
Battery Pack, 14.4V, 2270mAh , 2 pcs/Box
- **RDS-411-DIC-000**
DC Input Cable, 2 Meters, For RDS-411
- **RTC-1010-DTDPA-002**
DC-To-DC Power Adaptor, 12V to 36V Input, 12V/3A Output, One End-DC Jack, One End-Two Flying
- **RTC-1010-DTDPA-001**
DC-To-DC Power Adaptor, 12V to 36V Input, 12V/3A Output, One End-DC Jack, One End-Cigarette Plug
- **1702031802**
Power Cord for US
- **1702031803**
Power Cord for EU
- **170203180J**
Power Cord for UK
- **170203180E**
Power Cord for Japan

| Part Number | CPU | OS | LCD Display | Touch Screen | System Memory | Storage | Expansion I/O | Sensor | WiFi/Bluetooth | Navigation | LTE Bands (MHz) | Camera | Docking Connector | 2D Barcode Scanner | NFC | Battery | Power |
|-------------------|---------|------------|----------------|---------------|---------------|-----------|---|--|----------------------|-------------------------|-----------------|----------------------------------|-------------------|--------------------|-----|---------------|-------|
| RTC-1010RK-R0001 | RK3399K | Android 11 | 10.1" 300 nits | PCT 10 points | LPDDR4 2GB | eMMC 16GB | Micro-HDMI port x 1 SIM card slot x 1 Micro-SD card slot x 1 Audio jack x 1 (3.5mm) USB 3.2 Gen 1 x 2 (USB Type-C x 1), USB 2.0 x 2 DC-in jack x 1 RS-232/422/485 COM Port x 1 10/100/1000 Base-T RJ45 x 1 | G-sensor E-compass Gyro-sensor Light-sensor | 802.11 b/g/n + BT5.0 | GPS / Galileo / GLONASS | — | Front: 8MP Rear: 8MP w/ Flash | Yes | — | — | 32.7W | DC12V |
| RTC-1010RK-R0002 | RK3399K | Android 11 | 10.1" 300 nits | PCT 10 points | LPDDR4 4GB | eMMC 64GB | Micro-HDMI port x 1 SIM card slot x 1 Micro-SD card slot x 1 Audio jack x 1 (3.5mm) USB 3.2 Gen 1 x 2 (USB Type-C x 1), USB 2.0 x 2 DC-in jack x 1 RS-232/422/485 COM Port x 1 10/100/1000 Base-T RJ45 x 1 | G-sensor E-compass Gyro-sensor Light-sensor | 802.11 b/g/n + BT5.0 | GPS / Galileo / GLONASS | — | Front: 8MP Rear: 8MP w/ Flash | Yes | Yes | Yes | 32.7W + 11.3W | DC12V |
| RTC-1010RK-RH0001 | RK3399K | Android 11 | 10.1" 800 nits | PCT 10 points | LPDDR4 2GB | eMMC 16GB | Micro-HDMI port x 1 SIM card slot x 1 Micro-SD card slot x 1 Audio jack x 1 (3.5mm) USB 3.2 Gen 1 x 2 (USB Type-C x 1), USB 2.0 x 2 DC-in jack x 1 RS-232/422/485 COM Port x 1 10/100/1000 Base-T RJ45 x 1 | G-sensor E-compass Gyro-sensor Light-sensor | 802.11 b/g/n + BT5.0 | GPS / Galileo / GLONASS | — | Front: 8MP Rear: 8MP w/ Flash | Yes | — | — | 32.7W | DC12V |
| RTC-1010RK-RH0002 | RK3399K | Android 11 | 10.1" 800 nits | PCT 10 points | LPDDR4 4GB | eMMC 64GB | Micro-HDMI port x 1 SIM card slot x 1 Micro-SD card slot x 1 Audio jack x 1 (3.5mm) USB 3.2 Gen 1 x 2 (USB Type-C x 1), USB 2.0 x 2 DC-in jack x 1 RS-232/422/485 COM Port x 1 10/100/1000 Base-T RJ45 x 1 | G-sensor E-compass Gyro-sensor Light-sensor | 802.11 b/g/n + BT5.0 | GPS / Galileo / GLONASS | — | Front: 8MP Rear: 8MP w/ Flash | Yes | Yes | Yes | 32.7W + 11.3W | DC12V |