

# PICO-EHL4-SEMI

PICO-SEMI TurnKit with Intel® Pentium® and Celeron® N and J Series Processors



## Specifications

SYSTEM	
FORM FACTOR	PICO-SEMI
CPU	Intel® Celeron® Processor J6412 (4C/4T, 2.00 GHz, 10W) Intel® Celeron® Processor N6210 (2C/2T, 1.20 GHz, 6.5W)
CHIPSET	Integrated with Intel® SoC
MEMORY TYPE	Onboard Single-Channel LPDDR4x 3200MHz (Max. 16GB, Non ECC)
BIOS	UEFI
WAKE ON LAN	Yes
WATCHDOG TIMER	255 Levels
SECURITY	Intel® PTT (Integrated TPM)
RTC Battery	Lithium Battery 3V/240mAh
DIMENSION	4.80" x 3.18" x 1.75" (122mm x 80.8mm x 44.4mm)
Gross Weight	0.88 lb. (0.40kg)
OS Support	Windows 10 (64 bit) Ubuntu 20.04.3(IOT)/Kernel 5.13
POWER	
POWER REQUIREMENT	12V only
POWER SUPPLY TYPE	ATX
CONNECTOR	DC Jack Connector
POWER CONSUMPTION	Intel® Pentium® J6426, LPDDR4x onboard 16GB, 1.43A@ +12V(TYPICAL) Intel® Pentium® J6426, LPDDR4x onboard 16GB, 1.78A@ +12V(MAX)
DISPLAY	
CONTROLLER	Intel® UHD Graphics for 10th Gen Intel® Processors
LVDS/eDP	—
Display Interface	HDMI 2.0 x 1, 3840 x 2160 @60Hz
Multiple Display	Up to 1 Display
AUDIO	
CODEC	—
AUDIO INTERFACE	—
Speaker	—
EXTERNAL I/O	
ETHERNET	RTL8111H-CG 1GbE, RJ45 x 2
USB	USB 3.2 Gen 2 x 2
SERIAL PORT	COM 1, COM 2 (RS-232/422/485, supports 5V/12V/RI, Optional)
VIDEO	HDMI 2.0 x 1
INTERNAL I/O	
USB	—

## Features

- Intel® Pentium®, and Celeron® N and J series processors (formerly Elkhart Lake)
- Onboard LPDDR4x System Memory
- 32GB eMMC5.1 (Optional: 64GB/128GB)
- HDMI 2.0 x 1
- GbE x 2, USB 3.2 Gen 2 x 2
- Mini Card x 1, M.2 2230 E-Key x 1
- COM x 2 (Optional)



SERIAL PORT	—
VIDEO	—
SATA	32GB eMMC 5.1 (Optional: 64GB/128GB)
AUDIO	—
DIO/GPIO	—
SMBus/I2C	—
FAN	—
Front Panel	HDD LED, PWR LED, Power Button, Buzzer, Reset
Others	—
EXPANSION	
Mini PCI-E/mSATA	Full size mPCIe/mSATA x 1 (SATA as default, PCIe selected by BIOS)
M.2	M.2 2230 E-Key x 1 (PCIe [x1]/USB 2.0)
Others	—
ENVIRONMENT & CERTIFICATION	
OPERATING TEMP	32°F ~ 122°F (0°C ~ 50°C) with 0.5m/s air flow
STORAGE TEMP	-40°F ~ 185°F (-40°C ~ 85°C)
OPERATING HUMIDITY	0% ~ 90% relative humidity, non-condensing
MTBF (HOURS)	489,989
EMC	CE/FCC Class A

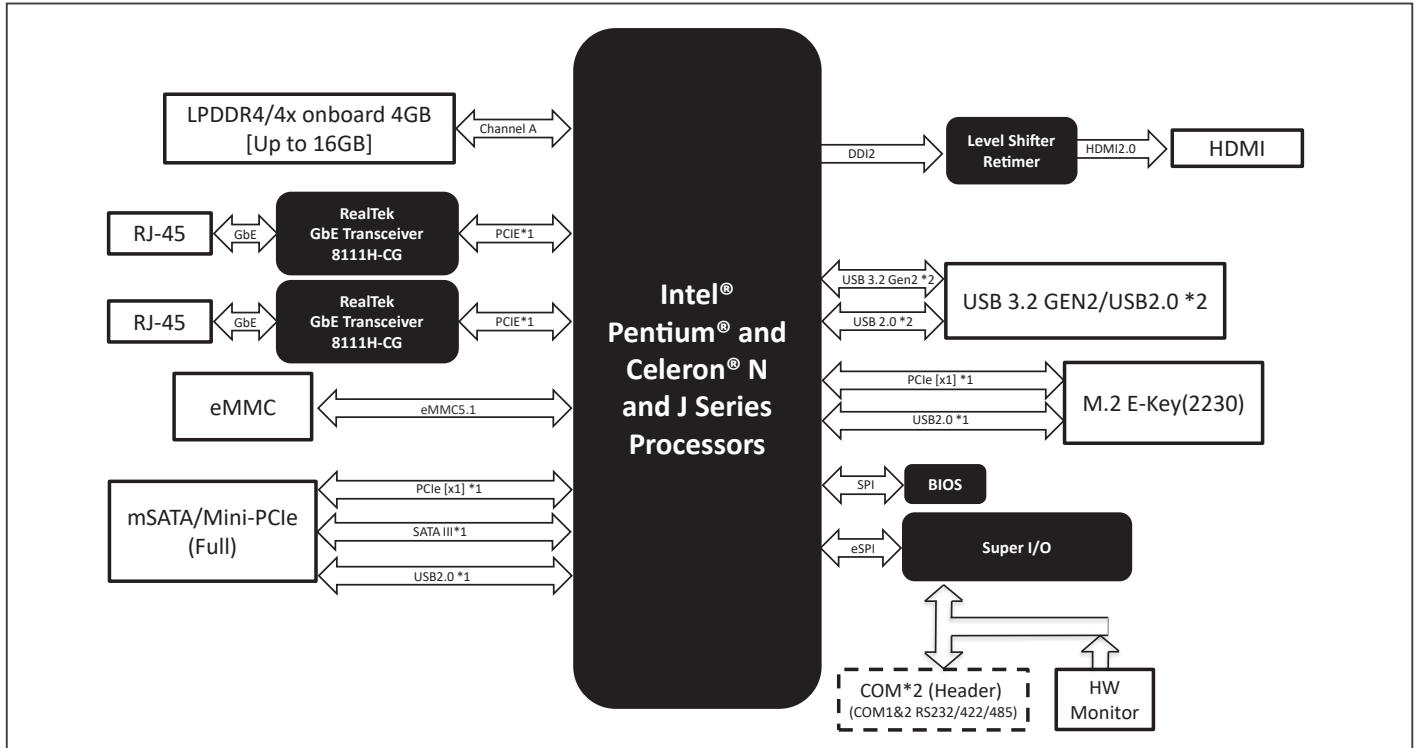
## Packing List

- PICO-EHL4-SEMI

## Optional Accessories

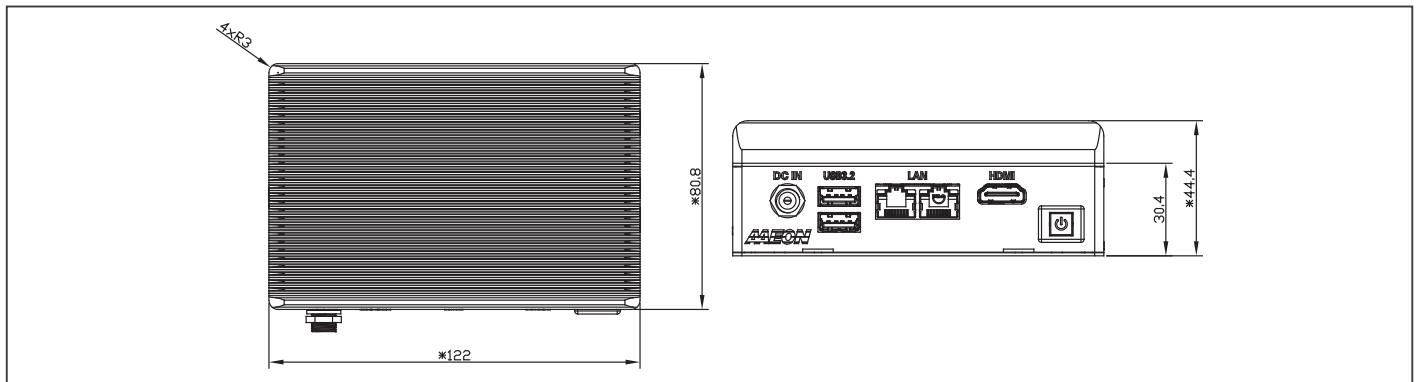
Part Number	Description	Qty.
1702031802	Power Cord (US Type)	1
1702031803	Power Cord (Europe Type)	1
170203180E	Power Cord (Japan)	1
125530060Z	Power Adapter 12V/5A 60W FSP060-DHAN3 w/Lock	1
170X000654	Dual COM port cable (100mm)	1
PICO-EHL4-SEMI-VESA1	PICO-EHL4-SEMI VESA bracket kit	1
PICO-EHL4-SEMI-WMT1	PICO-EHL4-SEMI Wallmount bracket kit	1
PICO-EHL4-SEMI-DIN1	Din rail kit	1

## Block Diagram



## Dimension

Unit: mm



## Ordering Information

Part number	CPU	Memory	Display	Storage	LAN	USB	Expansion slot	Power	Operating Temp	Others
PICO-EHL4-SEMI-A11-S001	Intel® Celeron® Processor N6210	4GB	HDMI x 1	eMMC 32GB	GbE x 2	USB3.2 Gen 2 x 2	M.2 2230 E-key x 1 mSATA(Full-size) x 1	+12V (ATX)	0~50°C	—
PICO-EHL4-SEMI-A11-S002	Intel® Celeron® Processor J6412	8GB	HDMI x 1	eMMC 32GB	GbE x 2	USB3.2 Gen 2 x 2	M.2 2230 E-key x 1 mSATA(Full-size) x 1	+12V (ATX)	0~50°C	—