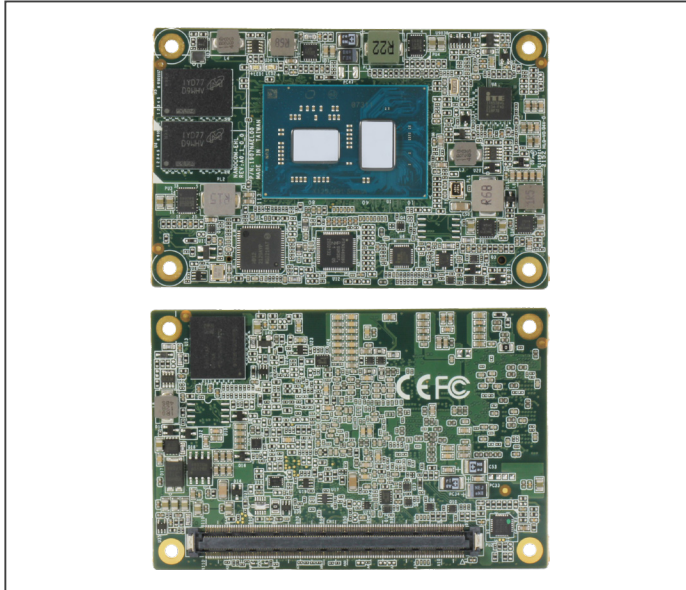


NanoCOM-EHL

COM Express Type 10 CPU Module with Onboard Intel® Atom™/Celeron®/Pentium® Processor



Features

- Intel Atom® x6000E, Pentium®, Celeron® series Processor
- Onboard Memory LPDDR4, up to 16GB
- Intel i226IT 2.5GbE x 1
- 18/24-bit Single Channel LVDS/eDP, DDI x 1
- SATA3 x 2, Onboard eMMC up to 64GB (Optional)
- USB 2.0 x 8, USB 3.2 10Gbps x 2
- PCIe [x1] x 4
- COM Express Mini Size, Type 10, COM.0 R2.1



Specifications

System	
Form Factor	COM Express Mini size, Type 10
CPU	Intel Atom® x6000E, Pentium® and Celeron® series Processor
CPU Frequency	Up to x6425E, 2.0GHz
Chipset	SoC
Memory Type	Onboard LPDDR4
Max. Memory Capacity	16 GB
BIOS	AMI UEFI
Wake on LAN	Yes
Watchdog Timer	255 Levels
Power Requirement	+12 V and +5 VSB for ATX, +12V for AT
Power Supply Type	AT/ATX
Power Consumption (Typical)	1.44A@12V, full load, x6425E
Dimension (L x W)	3.31" x 2.17" (84mm x 55mm)
Operating Temperature	32°F ~ 140°F (0°C ~ 60°C)
Storage Temperature	-40°F ~ 185°F (-40°C ~ 85°C)
Operating Humidity	0% ~ 90% relative humidity, non-condensing
Certification	CE/FCC Class A
Display	
Graphic Controller	Intel® UHD Graphics for 10th Gen Intel® Processors
Video Output	Dual Display : LVDS LCD/eDP, DDI x 1 Single Channel LVDS (18/24 bit)
I/O	
Ethernet	Intel i226IT 2.5GbE x 1
Audio	High Definition Audio Interface
USB Port	USB 2.0 x 8, USB 3.2 10Gbps x 2
Serial Port	2-Wire UART (Tx/Rx) x 2
HDD Interface	SATA 3 x 2
Expansion Slot	PCIe [x1] x 4 LPC SMBus I2C
GPIO	8-bit
Onboard Storage	eMMC up to 64GB (Optional)
TPM	fTPM

Packing List

- NanoCOM-EHL x 1

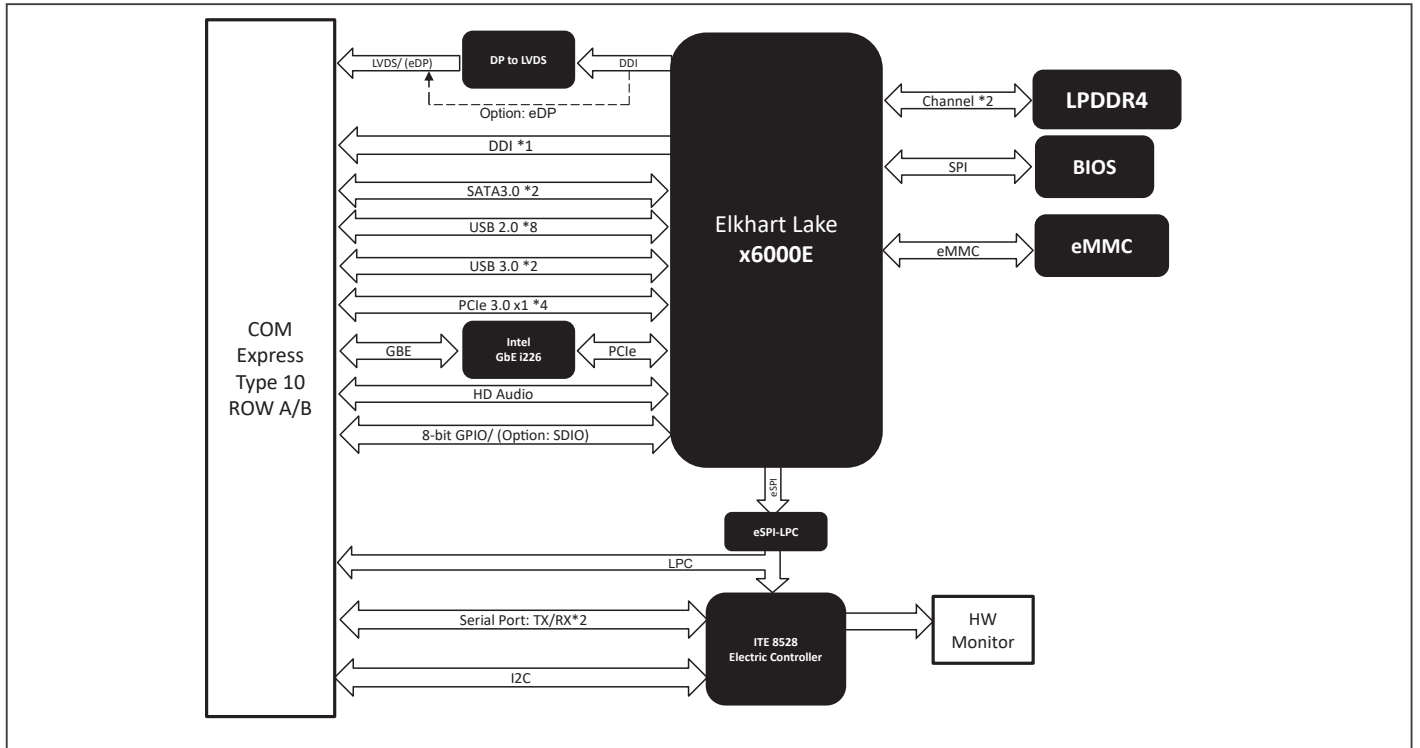
Optional Accessories

- **ECB-920A-A11-0001**
COMe Type 6/10.Carrier Board.ATX.2.5GbE.8USB.2COM.4SATA.PCIe.AT/ATX.Rev. A1.1
- **NanoCOM-EHL-FAN01**
CPU cooler.84 x 55 x 18 mm.Black, NanoCOM-EHL for x6000E series
- **NanoCOM-EHL-FAN02**
CPU cooler.84 x 55 x 18 mm.Black, NanoCOM-EHL for N, J series

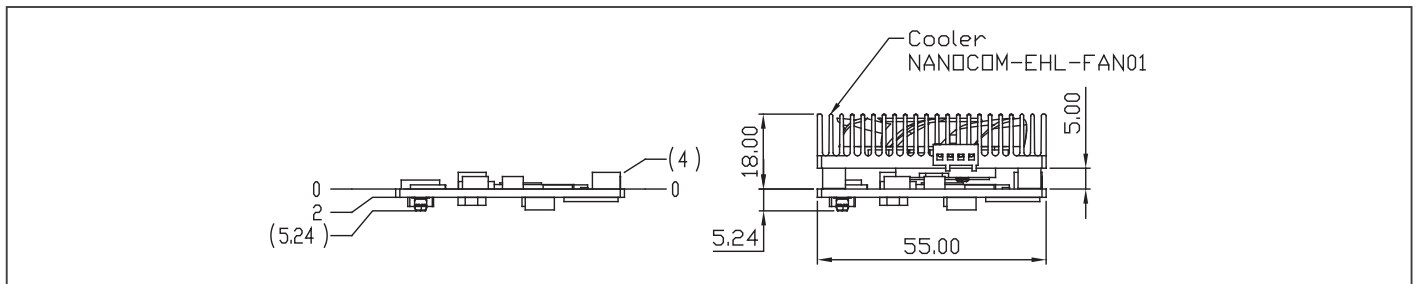
CPU Support Chart

CPU	Core/Thread	Base Frequency/ Turbo	TDP	Graphic	Extend Temp.
N6211	2C/2T	1.2 / 3.0 GHz	6.5W	Intel® UHD Graphics, 16 EU	0°C to 70°C
J6412	4C/4T	2.0 / 2.6 GHz	10W	Intel® UHD Graphics, 16 EU	0°C to 70°C
J6426	4C/4T	2.0 / 3.0 GHz	10W	Intel® UHD Graphics, 32 EU	0°C to 70°C
x6211E	2C/2T	1.3 / 3.0 GHz	6W	Intel® UHD Graphics, 16 EU	0°C to 70°C
x6413E	4C/4T	1.5 / 3.0 GHz	9W	Intel® UHD Graphics, 16 EU	-40°C to 85°C
x6425E	4C/4T	2.0 / 3.0 GHz	12W	Intel® UHD Graphics, 32 EU	-40°C to 85°C
x6212RE	2C/2T	1.2 GHz	6W	Intel® UHD Graphics, 16 EU	-40°C to 85°C
x6425RE	4C/4T	1.90 GHz	12W	Intel® UHD Graphics, 32 EU	-40°C to 85°C

Block Diagram Unit: mm



Dimension Unit: mm



Ordering Information

Part number	CPU	Memory	Display	LVDS	Storage	LAN	USB	UART	Expansion	Power	Temperature	Others
NANOCOM-EHL-A11-0002	J6412	8GB	LVDS x 1, DDI x 1	18/24bits 1CH LVDS	SATA3 x 2, 32GB	2.5GbE x 1	USB 3.2 10Gbps x 2 USB 2.0 x 8	2 (Tx/Rx)	PCIe [x1] x 4	12V	0°C - 60°C	LPC, SMBus, I2C
NANOCOM-EHL-A11-0003	J6426	16GB	LVDS x 1, DDI x 1	18/24bits 1CH LVDS	SATA3 x 2, 64GB	2.5GbE x 1	USB 3.2 10Gbps x 2 USB 2.0 x 8	2 (Tx/Rx)	PCIe [x1] x 4	12V	0°C - 60°C	LPC, SMBus, I2C
NANOCOM-EHL-A11-0004	x6211E	16GB	LVDS x 1, DDI x 1	18/24bits 1CH LVDS	SATA3 x 2, 32GB	2.5GbE x 1	USB 3.2 10Gbps x 2 USB 2.0 x 8	2 (Tx/Rx)	PCIe [x1] x 4	12V	0°C - 60°C	LPC, SMBus, I2C
NANOCOM-EHL-A11-0005	x6413E	8GB	LVDS x 1, DDI x 1	18/24bits 1CH LVDS	SATA3 x 2, 64GB	2.5GbE x 1	USB 3.2 10Gbps x 2 USB 2.0 x 8	2 (Tx/Rx)	PCIe [x1] x 4	12V	0°C - 60°C	LPC, SMBus, I2C
NANOCOM-EHL-A11-0006	X6425E	8GB	LVDS x 1, DDI x 1	18/24bits 1CH LVDS	SATA3 x 2, 64GB	2.5GbE x 1	USB 3.2 10Gbps x 2 USB 2.0 x 8	2 (Tx/Rx)	PCIe [x1] x 4	12V	0°C - 60°C	LPC, SMBus, I2C