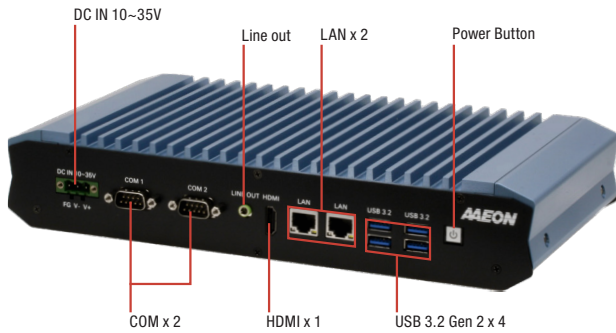


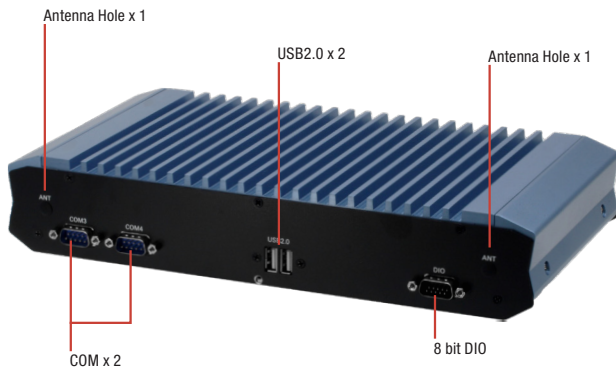
BOXER-6642-CML

Fanless Embedded Box PC with Socket Type 10th Generation Intel® Core™ Processor

Front View



Rear View



Features

- Extreme Computing Power & Graphic Display Capability
- DDR4 slot x 2, up to 64GB
- Support High Speed NVMe storage (M.2 2280)
- GbE LAN x 2, RS232/422/485 x 4
- Supports Intel® AMT
- Support TPM 2.0
- Wide Range 10-35V DC input
- Wide Range 0 ~ 45°C Operating Temperature

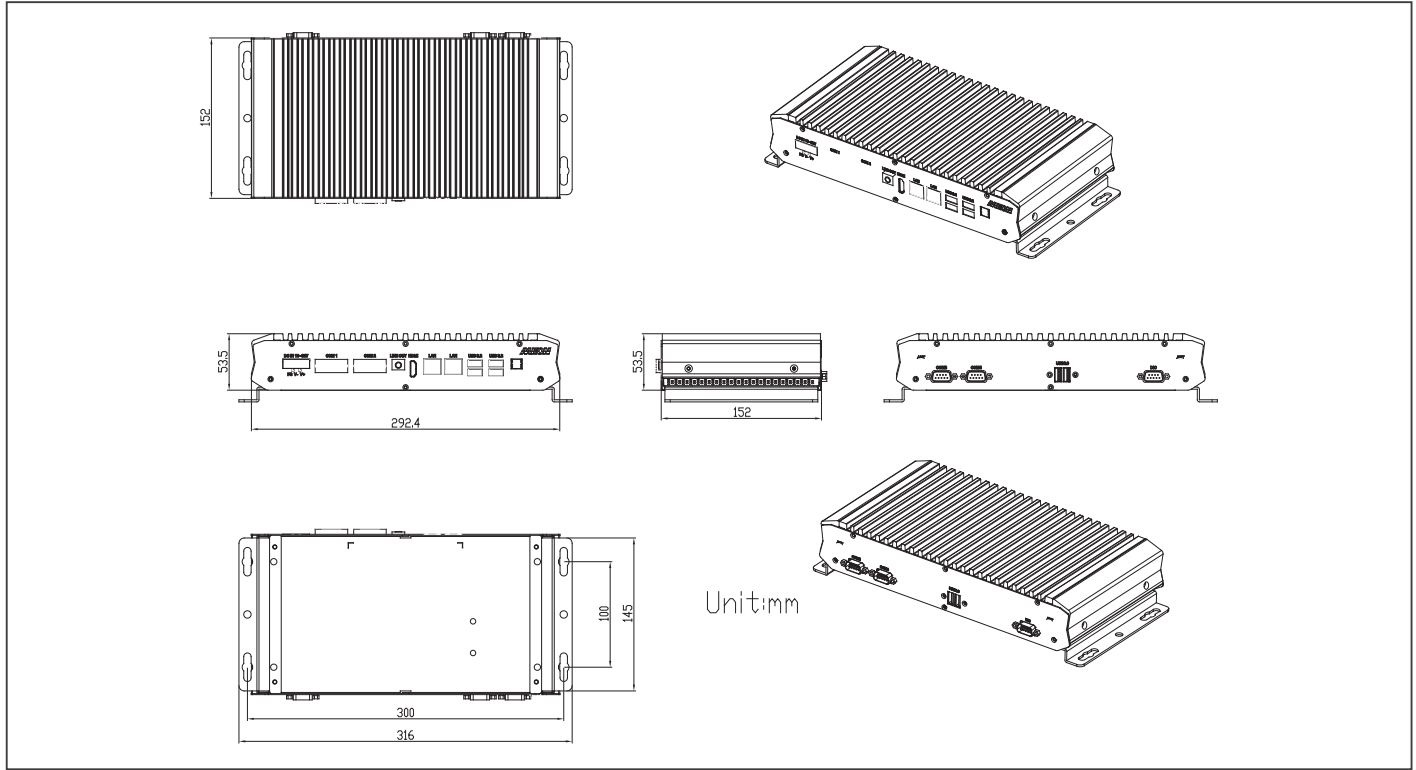


Specifications

| System | |
|------------------------|--|
| CPU | Intel® Core™ i9-10900TE Intel® Core™ i7-10700TE Intel® Core™ i5-10500TE Intel® Core™ i3-10100TE Intel® Celeron® G5900TE |
| Chipset | Intel® Q470E |
| System Memory | DDR4 SO-DIMM x 2, up to 64GB |
| Display Interface | HDMI 1.4 x 1 |
| Storage Device | M.2 2280 slot x 1 (PCIex4), 2.5" SATA SSD/HDD bay x 1 |
| Ethernet | Intel® i211-AT x 1, i219-LM x 1 |
| I/O | HDMI x 1 RJ-45 x 2 for GbE LAN (i211-AT x 1, i219-LM x 1) USB 3.2 Gen 2 x 4 USB 2.0 x 2 DB-9 x 4 for RS-232/422/485 DB15 x 1 for 8 channel DIO Line out x 1 3 pin 10~35V Power Input x 1 Power Button with LED x 1 |
| Expansion | M.2 2230 E Key x 1 M.2 2280 M Key x 1 Full-Size Mini Card x1 (mSATA/PCIe switch by BIOS, default PCIe) SIM x 1 |
| Indicator | Power LED |
| OS Support | Windows® 10 IoT Enterprise 64-bit Linux Ubuntu 20.04.2 |
| Power Supply | |
| Power Requirement | 10-35V DC-in with 3-pin terminal block |
| Mechanical | |
| Mounting | Wallmount |
| Dimensions (W x H x D) | 11.58" x 5.98" x 2.11" (292.4mm x 152mm x 53.5mm) |
| Gross Weight | 8.4lb (3.8kg) |
| Net Weight | 6.2lb (2.8kg) |
| Environmental | |
| Operating Temperature | 32°F ~ 113°F (0°C ~ 45°C) (35W CPU), according to IEC68-2-14 with 0.5 m/s AirFlow |
| Storage Temperature | -40°F ~ 176°F (-40°C ~ 80°C) |
| Storage Humidity | 5 ~ 95% @ 40°C, non-condensing |
| Anti-Vibration | 2 Grms/5 ~ 500Hz/operation (with SSD) |
| Anti-Shock | 50G peak acceleration (11msec) (with SSD) |
| Certification | CE/FCC class A |

Dimension

Unit: mm



Ordering Information

| Part Number | LAN | PCH | USB 3.2 Gen 2 | USB 2.0 | RS-232/422/485 | Storage | Display | Expansion | Mounting | Power | Operation temp. |
|------------------------|-----|-------|---------------|---------|----------------|--|----------|---|----------------|--------------|--------------------------------|
| BOXER-6642-CML-A1-1010 | 2 | Q470E | 4 | 2 | 4 | M.2 2280 M Key x 1 2.5" HDD/SSD Bay x 1 | HDMI x 1 | M.2 2230 E Key x 1 Full-Size Mini Card x 1 | Wall mount kit | 10-35V DC-in | 0°C ~ 45°C with 0.5m/s airflow |

Packing List

- Wallmount Bracket x 2
- 3 Pin DC-in Power Connector x 1
- Screw Package x 1
- BOXER-6642-CML x 1

Optional Accessories

- 125590120B
120W Power Adapter
- 1255302300
230W Power Adapter
- 1702031802
Power Cord (US Type)
- 1702031803
Power Cord (Europe)
- 170203180E
Power Cord (Japan)